

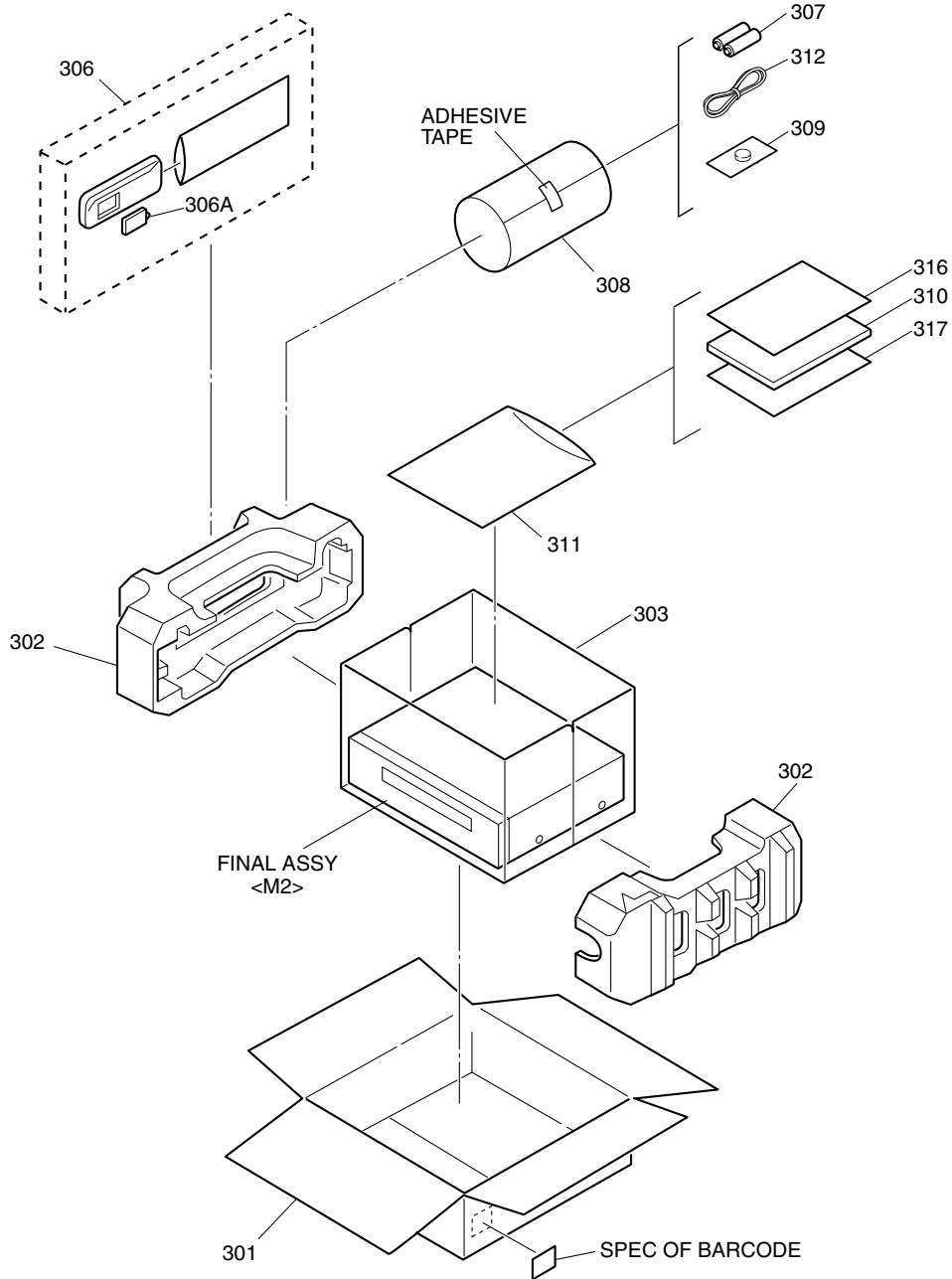
SECTION 5 PARTS LIST

SAFETY PRECAUTION

Parts identified by the \triangle symbol are critical for safety. Replace only with specified part numbers.

5.1 PACKING AND ACCESSORY ASSEMBLY <M1>

The instruction manual to be provided with this product will differ according to the destination.



# \triangle	REF No.	PART No.	PART NAME, DESCRIPTION

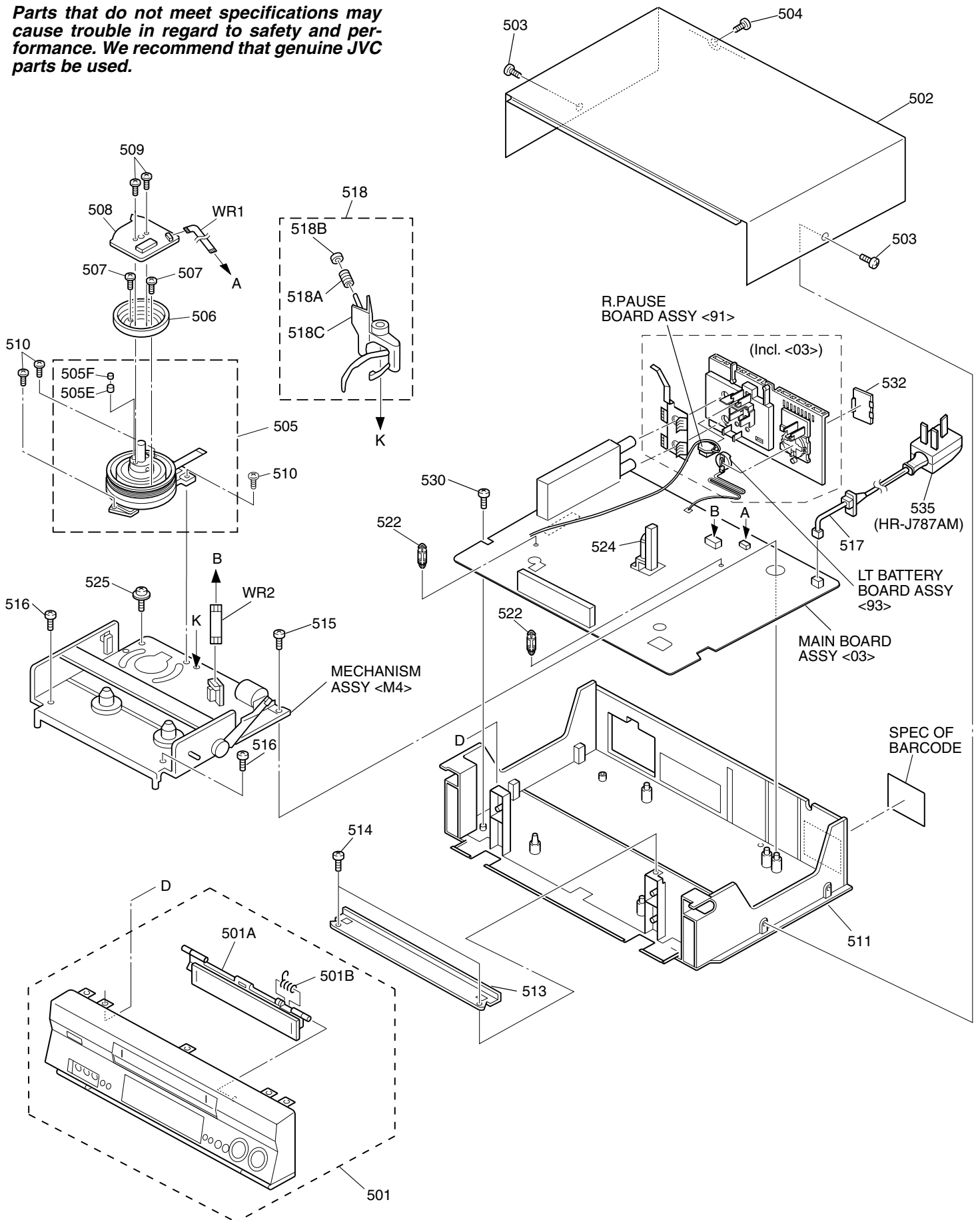
PACKING AND ACCESSORY ASSEMBLY <M1>			
	301	LP31005-001A	PACKING CASE
	302	LP30355-001D	CUSHION ASSY
	303	PQM30021-93	POLY BAG
	306	LP20878-008B	REMOTE CONTROLLER
	306A	LP40610-002A	COVER(BATTERY)
	307	-	BATTERY,X2("R6"TYPE)

# \triangle	REF No.	PART No.	PART NAME, DESCRIPTION
	308	QPC02202230P	POLY BAG
\triangle	309	PECA0903	LI BATTERY
\triangle	310	LPT0595-001A	INST BOOK(EN)
\triangle		LPT0595-002A	INST BOOK(CH),J781AM/J787AM
\triangle		LPT0595-003A	INST BOOK(RU),J781AM
	311	QPC02503530P	POLY BAG
	312	PEAC0348-02	RF CABLE
	316	BT-56001-2	WARRANTY CARD,J781AM/EA
	317	BT-56002-2	SER.NET CARD,J781AM/EA

5.2 FINAL ASSEMBLY <M2>

BEWARE OF BOGUS PARTS

Parts that do not meet specifications may cause trouble in regard to safety and performance. We recommend that genuine JVC parts be used.



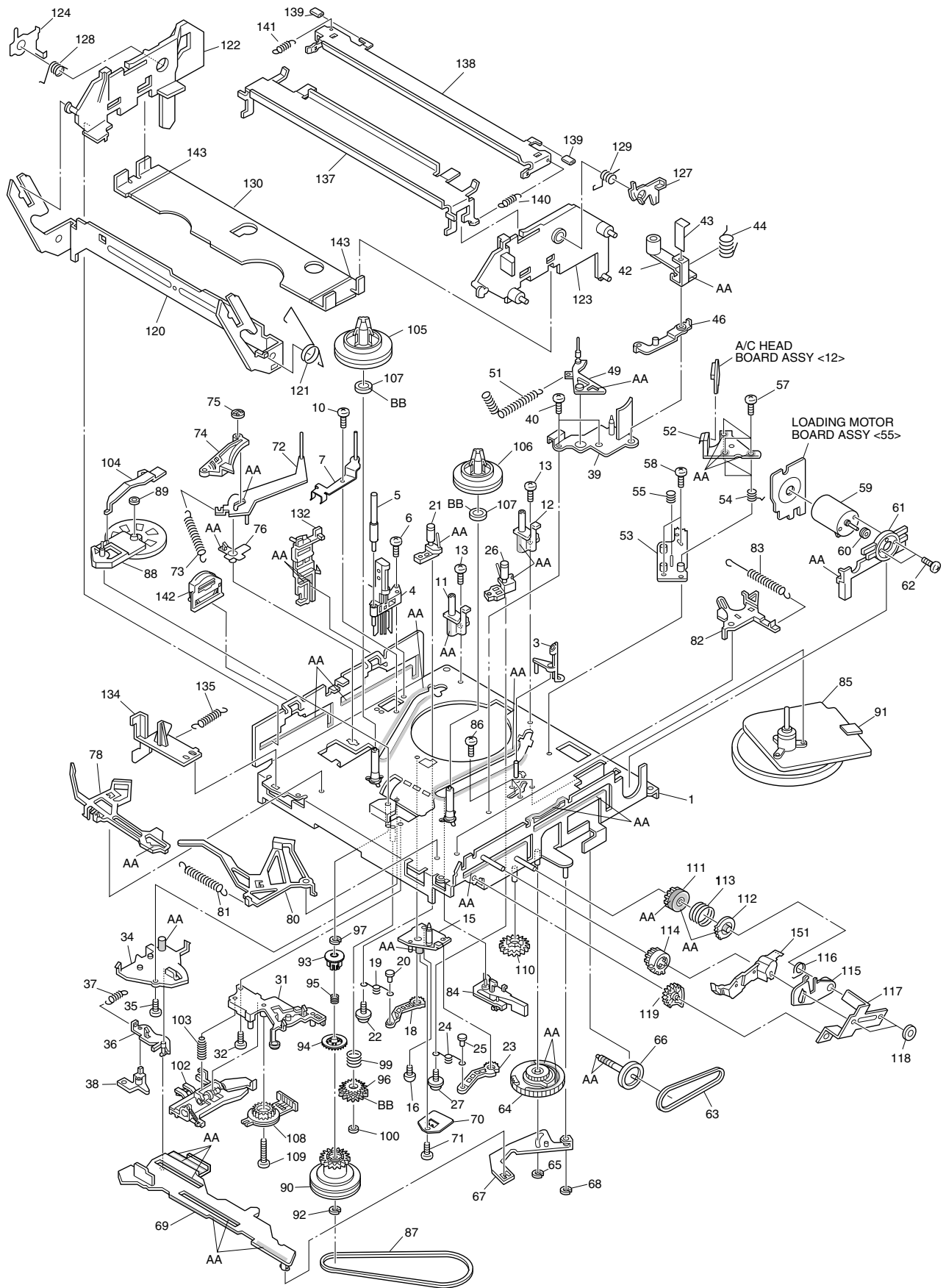
△ REF No. PART No. PART NAME, DESCRIPTION

△ REF No. PART No. PART NAME, DESCRIPTION

FINAL ASSEMBLY <M2>

△	501	LP10333-044B	FRONT PANEL ASSY,J787AM
△		LP10333-045B	FROTN PANEL ASSY,J781AM,J781AM/EA
	501A	LP20961-017B	CASSETTE DOOR
	501B	PQ46448	TORSION SPRING
△	502	LP10013-045A	TOP COVER
	503	QYTDSF3010R	SCREW,X2 TOP COVER(SIDE)
	504	QYTDSF3010M	SCREW,TOP COVER(REAR)
	505	LP20981-002A	DRUM SUB ASSY
	505E	LP40323-001A	CONTACT
	505F	LP30004-014A	COMPRESSION SPRING
	506	PDZ0179-1-4	ROTOR ASSY
	507	QYSPSP3006Z	SCREW,X2
△	508	QAR0169-002	STATOR ASSY
	509	QYSPSPH2606Z	SCREW,X2
	510	QYTDST2610Z	SCREW,X3 DRUM
△	511	LP10108-009G	BOTTOM CHASSIS
	513	LP30312-001B	BRACKET(CHASSIS)
	514	QYTDSF3010Z	SCREW,X2
	515	QYTDSF4012Z	SCREW,MECHA
	516	QYTDSF3010Z	SCREW,X2 MECHA
△	517	QMPK070-170-JC	POWER CORD,J787AM
△		QMP2990-220	POWER CORD,J781AM/EA
△		QMP4A10-170	POWER CORD,J781AM
	518	LP40369-001D	CLEANER ASSY
	518A	PQ46418-1-2	CLEANER ROLLER
	518B	PQ46419-1-2	CLEANER
	518C	LP30407-001D	CLEANER ARM
	522	LP40226-001A	PC SUPPORT,X2
	524	LP40253-001B	STOPPER
	525	PQ40413	SPECIAL SCREW,MECHA
	530	QYTDSF3010Z	SCREW,MAIN
	532	LP30336-001A	CAP,LT BATTERY
△	535	QAM0001-001	CONVERSION PLUG,J787AM
	WR1	QUQ212-0518CG	FFC WIRE,DRUM CN3001
	WR2	WJT0005-002A	E-CARD WIRE,A/C HEAD CN2001

5.3 MECHANISM ASSEMBLY <M4>



Classification	Part No.	Symbol in drawing
Grease	KYODO-SH-P	AA
Oil	COSMO-HV56	BB

NOTE:The section marked in **AA** and **BB** indicate lubrication and greasing areas.

#	△	REF No.	PART No.	PART NAME, DESCRIPTION	#	△	REF No.	PART No.	PART NAME, DESCRIPTION

MECHANISM ASSEMBLY <M4>									
1			LP20821-006A	MAIN DECK ASSY	74			LP40109-003D	TENSION BRAKE ASSY
3			LP30492-002B	GUIDE POLE GUARD	75			PQ46302-1-3	ADJUST PIN
4			NAH0001-001	FULL ERASE HEAD	76			LP30232-002A	TENSION ARM BEARING
5			LP40098-001B	GUIDE POLE(SUPPLY)	78			LP40532-008B	MAIN BRAKE ASSY (SUPPLY)
6			QYTDST2608Z	SCREW,FE HEAD	80			LP40111-011A	MAIN BRAKE ASSY (TAKE UP)
7			LP40637-002A	TENSION STUD BASE ASSY	81			LP30003-026A	TENSION SPRING
10			QYTDST2606Z	SCREW	82			LP40112-001F	SUB BRAKE ASSY(TAKE UP)
11			LP30409-002C	UV CATCHER 2(SUPPLY)	83			LP40357-002A	TENSION SPRING
12			LP30409-002C	UV CATCHER 2(TAKE UP)	84			LP40461-001A	CAPSTAN BRAKE ASSY
13			QYTPST2606Z	SCREW,X2	85			QAR0087-005	CAPSTAN MOTOR
15			LP30223-003C	LOADING ARM GEAR SHAFT	86			QYTDST2606M	SCREW,X3
16			QYTDST2606Z	SCREW	87			LP30005-007A	BELT,CAPSTAN MOTOR
18			LP30224-001B	LOADING ARM GEAR(SUPPLY)	88			LP40114-012A	IDLER ARM ASSY
19			LP40099-001A	TORSION ARM	89			LP40599-001A	WASHER
20			LP40100-001A	PIN	90			LP40593-001A	CLUTCH UNIT 3
21			LP40101-006A	POLE BASE ASSY(SUPPLY)	91			LP30002-097A	SPACER,CAPSTAN MOTOR
22			QYSPSTG2606Z	SCREW	92			PQM30017-47	SLIT WASHER
23			LP40103-002B	LOADING ARM GEAR(TAKE UP)	93			LP30696-002A	CLUTCH GEAR 4
24			LP40099-001A	TORSION ARM	94			LP30697-003A	COUPLING GEAR
25			LP40100-002A	PIN	95			LP40554-002A	COMPRESSION SPRING
26			LP40104-006A	POLE BASE ASSY(TAKE UP)	96			LP40442-001A	DIRECT GEAR
27			QYSPSTG2606Z	SCREW	97			LP30017-019A	SPACER
31			LP20233-004B	ROTARY ENCODER GUIDE	99			LP40483-002A	COMPRESSION SPRING
32			QYTPST2606Z	SCREW	100			LP30016-001A	SLIT WASHER
34			LP30226-004E	CONTROL PLATE GUIDE	102			LP40484-001J	CHANGE LEVER ASSY
35			QYTPST2605Z	SCREW	103			LP40512-002B	COMPRESSION SPRING
36			LP30249-003B	TAKE UP LEVER	104			LP30236-002C	IDLER LEVER
37			LP30003-006A	TENSION SPRING	105			LP20237-001B	REEL DISK (SUPPLY)
38			LP40119-002A	TAKE UP HEAD	106			LP20238-001B	REEL DISK (TAKE UP)
39			LP20234-004B	LID GUIDE	107			LP30017-015A	SPACER,X2
40			QYTDST2606Z	SCREW,X2	108			QSW0554-003	ROTARY ENCODER
42			LP40105-003A	PINCH ROLLER ARM ASSY	109			QYTPST2620Z	SCREW
43			LP40753-001A	PINCH ROLLER SHEET3	110			LP30237-002B	CASSETTE GEAR
44			LP40148-002A	TORSION SPRING	111			LP30239-002G	LIMIT GEAR(1)
46			LP40149-001C	PRESS LEVER ASSY	112			LP30240-002G	LIMIT GEAR(2)
49			LP40106-007A	GUIDE ARM ASSY	113			LP40136-001E	TORSION SPRING
51			LP40134-002A	TENSION SPRING	114			LP30242-002A	RELAY GEAR
52			QAH0058-001	AC HEAD	115			LP30339-002E	OPENER GUIDE
53			LP30228-001C	HEAD BASE	116			LP40545-001A	TORSION SPRING
54			LP30004-013A	COMPRESSION SPRING,X3	117			LP40214-001B	C.H.BRACKET
55			LP40236-001A	COMPRESSION SPRING	118			PQM30017-47	SLIT WASHER,X2
57			LP40213-002B	SPECIAL SCREW,X3	119			LP30243-002A	DRIVE GEAR
58			QYTDST2608Z	SCREW,X2	120			LP20240-001G	DRIVE ARM
59			QAR0023-001	LOADING MOTOR	121			LP40137-001A	TORSION SPRING
60			PQ43546-1-2	MOTOR PULLEY	122			LP10081-002L	SIDE HOLDER(L)
61			LP30230-001B	MOTOR GUIDE	123			LP10082-002M	SIDE HOLDER(R)
62			QYTPSP3003Z	SCREW,X2	124			LP30255-006A	LOCK LEVER(L)
63			LP30005-003A	BELT,LOADING MOTOR	127			LP30256-001H	LOCK LEVER(R)
64			LP20791-002D	CONTROL CAM	128			LP40168-003A	TORSION SPRING(L)
65			PQM30017-24	SLIT WASHER	129			LP40218-001B	TORSION SPRING(R)
66			LP40120-001A	WORM GEAR	130			LP30257-001G	CASSETTE HOLDER
67			LP40107-002A	LINK LEVER ASSY	132			LP30244-002G	GUIDE RAIL
68			PQM30017-24	SLIT WASHER	134			LP30245-002F	REC SAFETY LEVER
69			LP10201-003G	CONTROL PLATE	135			LP30003-004A	TENSION SPRING
70			LP40379-001B	CONTROL BRACKET(1)	137			LP20578-001C	TOP GUIDE
71			QYTDST2608M	SCREW	138			LP30500-001C	HOLD PLATE
72			LP40108-002A	TENSION ARM ASSY	139			LP40450-003A	PAD,X2
73			LP30003-010A	TENSION SPRING	140			LP30003-025B	TENSION SPRING
					141			LP30003-024A	TENSION SPRING
					142			LP40481-003A	ROLLER CAM ASSY
					143			LP30019-014A	PAD,X2
					151			LP20324-003B	DOOR OPENER

5.4 ELECTRICAL PARTS LIST

#	△ REF No.	PART No.	PART NAME, DESCRIPTION

MAIN BOARD ASSEMBLY <03>			
PW1		LPA10131-18C1	MAIN BOARD ASSY,J787AM
		LPA10131-21C1	MAIN BOARD ASSY,J781AM,J781AMEA
IC1		JCP8050-MVA	IC
IC201		LC74789N-9795	IC (OSD)
IC3001		HD6432194SXD06F	IC (MCU)
IC3002		IC-PST3427U-X	IC
IC3003		AT24C08N-10SC-X	IC
		or BR24C08F	IC
		or X24C08S	IC
		or 24LC08B/SN-X	IC
IC3004		BA6956AN	IC
IC5301		L5431	IC
		or MM1431AT	IC
		or UTCTL431	IC
IC6701		MSP3417D	IC
		or MSP3417DG3	IC
IC7001		PT6956	IC
IC7002		GP1U291Q	IR DETECT UNIT
		or PIC-28143LJ	IR DETECT UNIT
		or PNA4652M00YC	IR DETECT UNIT
		or PIC-37143LJ	IR DETECT UNIT
Q1		2SC4081/S/-X	TRANSISTOR
Q2		2SC4081/S/-X	TRANSISTOR
Q3		2SC4081/S/-X	TRANSISTOR
Q4		2SC4081/S/-X	TRANSISTOR
Q23		2SA1576A/QR/-X	TRANSISTOR
		or 2PA1576R/R/-X	TRANSISTOR
Q38		2SC4081/QRS/-X	TRANSISTOR
Q39		UN521E	TRANSISTOR
		or RN1309	TRANSISTOR
		or DTC144WU	TRANSISTOR
		or PDTC144WU	TRANSISTOR
Q41		UN521E	TRANSISTOR
		or DTC144WU	TRANSISTOR
		or RN1309	TRANSISTOR
		or PDTC144WU	TRANSISTOR
Q201		2SC4081/QRS/-X	TRANSISTOR
		or 2PC4081/R/-X	TRANSISTOR
Q2001		2SC4081/QRS/-X	TRANSISTOR
		or 2PC4081/R/-X	TRANSISTOR
		or 2SD1819A/QRS/-X	TRANSISTOR
Q2002		2SC4081/QRS/-X	TRANSISTOR
		or 2SD1819A/QRS/-X	TRANSISTOR
		or 2PC4081/R/-X	TRANSISTOR
Q2003		DTA144WU	TRANSISTOR
		or PDA144WU	TRANSISTOR
		or RN2309	TRANSISTOR
		or UN511E	TRANSISTOR
Q2051		2SC4081/QRS/-X	TRANSISTOR
		or 2SD1819A/QRS/-X	TRANSISTOR
		or 2PC4081/R/-X	TRANSISTOR
Q2052		2SA1576A/QR/-X	TRANSISTOR
		or 2PA1576R/R/-X	TRANSISTOR
		or 2SB1218A/QR/-X	TRANSISTOR
Q2053		DTC144WU	TRANSISTOR
		or PDTC144WU	TRANSISTOR
		or RN1309	TRANSISTOR

#	△ REF No.	PART No.	PART NAME, DESCRIPTION
		or UN521E	TRANSISTOR
Q2054		2SA1576A/QR/-X	TRANSISTOR
		or 2SB1218A/QR/-X	TRANSISTOR
		or 2PA1576R/R/-X	TRANSISTOR
Q2055		DTC144WU	TRANSISTOR
		or PDTC144WU	TRANSISTOR
		or RN1309	TRANSISTOR
		or UN521E	TRANSISTOR
Q2251		DTA144WU	TRANSISTOR
		or PDA144WU	TRANSISTOR
		or RN2309	TRANSISTOR
		or UN511E	TRANSISTOR
Q2252		DTC114EU	TRANSISTOR
		or PDTC114EU	TRANSISTOR
		or RN1302	TRANSISTOR
		or UN5211	TRANSISTOR
Q3001		2SD1819A/QRS/-X	TRANSISTOR
		or 2PC4081/R/-X	TRANSISTOR
		or 2SC4081/QRS/-X	TRANSISTOR
Q3003		PTZ-NV16	PHOTO TRANSISTOR
		or PTZ-NV16A	PHOTO TRANSISTOR
Q3004		2SD1819A/QRS/-X	TRANSISTOR
		or 2PC4081/R/-X	TRANSISTOR
		or 2SC4081/QRS/-X	TRANSISTOR
Q3005		2SD1819A/QRS/-X	TRANSISTOR
		or 2SC4081/QRS/-X	TRANSISTOR
		or 2PC4081/R/-X	TRANSISTOR
Q4001		UN5211	TRANSISTOR
		or RN1302	TRANSISTOR
		or DTC114EU	TRANSISTOR
		or PDTC114EU	TRANSISTOR
Q5101		2SK2632-CB14	POWER MOS FET
		or 2SK2632	POWER MOS FET
		or 2SK2129	POWER MOS FET
		or 2SK2129-LT	POWER MOS FET
Q5102		2SD2144S/UV/-T	TRANSISTOR
Q5302		2SD2375/QP/	TRANSISTOR
Q5303		2SD1819A/RS/-X	TRANSISTOR
		or 2SC4081/RS/-X	TRANSISTOR
		or 2PC4081/R/-X	TRANSISTOR
Q5304		2SC3616/ML/-T	TRANSISTOR
Q5305		DTA114EU	TRANSISTOR
		or PDA114EU	TRANSISTOR
		or RN2302	TRANSISTOR
		or UN5111	TRANSISTOR
Q5306		DTC114EU	TRANSISTOR
		or PDTC114EU	TRANSISTOR
		or RN1302	TRANSISTOR
		or UN5211	TRANSISTOR
Q6030		2SB1218A/RS/-X	TRANSISTOR
Q6031		DTC114EU	TRANSISTOR
		or PDTC114EU	TRANSISTOR
		or RN1302	TRANSISTOR
		or UN5211	TRANSISTOR
Q6032		DTC114EU	TRANSISTOR
		or PDTC114EU	TRANSISTOR
		or RN1302	TRANSISTOR
		or UN5211	TRANSISTOR
Q6701		2SC3936/BC/-X	TRANSISTOR
Q7001		DTA143TU	TRANSISTOR
Q7002		DTA143TU	TRANSISTOR

#	△	REF No.	PART No.	PART NAME, DESCRIPTION	#	△	REF No.	PART No.	PART NAME, DESCRIPTION	
		Q7003	DTA143TU	TRANSISTOR			D5303	RD5.1JS/B2/-T2	ZENER DIODE	
		Q7004	DTA143TU	TRANSISTOR				or MA4051N/M/-T2	ZENER DIODE	
		Q7005	DTA143TU	TRANSISTOR			D5304	1SS133	DIODE	
		Q7105	2SA1576A/QRS/-X	TRANSISTOR				or 1SS270A	DIODE	
			or 2PA1576/R/-X	TRANSISTOR			D5305	11ES2	DIODE	
		D6	MTZJ5.6C	ZENER DIODE				or 1A3G	DIODE	
			or RD5.6ES/B3/-T2	ZENER DIODE				or ERA15-02-T2	DIODE	
		D201	1SS133	DIODE			D5307	QUY160-100Y	IM BUS WIRE	
			or 1SS270A	DIODE			D5308	MTZJ11C	ZENER DIODE	
		D202	1SS133	DIODE				or RD11ES/B3/-T2	ZENER DIODE	
			or 1SS270A	DIODE			D5316	QUY160-100Y	IM BUS WIRE	
		D203	1SS133	DIODE			D6002	HZ30-2L-T2	ZENER DIODE	
			or 1SS270A	DIODE				or HZ30-2LTD	Z DIODE (M)	
		D2101	MTZJ8.2C	ZENER DIODE			D6701	1SS133	DIODE	
		D3001	LNB2301L01VI	LE DIODE			D7101	1SS133	DIODE	
		D3002	1SS133	DIODE			D7102	1SS133	DIODE	
			or 1SS270A	DIODE			D7103	QUY160-100Y	IM BUS WIRE	
		D3003	RD39ES/B3/-T2	ZENER DIODE			R1	NRSA02J-682X	MG RESISTOR	6.8kΩ, 1/10W
			or MTZJ39C	ZENER DIODE			R2	NRSA02J-152X	MG RESISTOR	1.5kΩ, 1/10W
		D3004	11ES2	DIODE			R3	NRSA02J-822X	MG RESISTOR	8.2kΩ, 1/10W
			or 1A3G	DIODE			R5	NRSA02J-0R0X	MG RESISTOR	0Ω, 1/10W
		D3005	11ES2	DIODE			R6	NRSA02J-273X	MG RESISTOR	27kΩ, 1/10W
			or 1A3G	DIODE			R7	NRSA02J-821X	MG RESISTOR	820Ω, 1/10W
△		D3006	RB721Q-40-T2	SB DIODE			R8	QRE141J-101Y	RESISTOR	100Ω, 1/4W
		D4001	QUY153-050Y	IM BUS WIRE			R9	QRE141J-101Y	RESISTOR	100Ω, 1/4W
		D4002	QUY153-050Y	IM BUS WIRE			R12	QRE141J-101Y	RESISTOR	100Ω, 1/4W
		D5001	S1WB/A/60-4102	BRIDGE DIODE			R21	NRSA02J-102X	MG RESISTOR	1kΩ, 1/10W
			or S1WB/A/60-X	BRIDGE DIODE			R22	NRSA02J-102X	MG RESISTOR	1kΩ, 1/10W
			or S1WB(A)60F4072X	BRIDGE DIODE			R37	NRSA02J-0R0X	MG RESISTOR	0Ω, 1/10W
		D5101	AU01	FR DIODE			R46	NRSA02J-331X	MG RESISTOR	330Ω, 1/10W
			or ERA18-04-T2	FR DIODE			R50	NRSA02J-102X	MG RESISTOR	1kΩ, 1/10W
			or 10ELS4	FR DIODE			R77	NRSA02J-103X	MG RESISTOR	10kΩ, 1/10W
			or 1SR153-400-T2	FR DIODE			R90	NRSA02J-391X	MG RESISTOR	390Ω, 1/10W
		D5102	AU01	FR DIODE			R92	NRSA02J-152X	MG RESISTOR	1.5kΩ, 1/10W
			or 1SR153-400-T2	FR DIODE			R93	NRSA02J-222X	MG RESISTOR	2.2kΩ, 1/10W
			or 10ELS4	FR DIODE			R104	NRSA02J-682X	MG RESISTOR	6.8kΩ, 1/10W
			or ERA18-04-T2	FR DIODE			R202	NRSA02J-103X	MG RESISTOR	10kΩ, 1/10W
		D5103	1SS133	DIODE			R203	NRSA02J-103X	MG RESISTOR	10kΩ, 1/10W
			or 1SS270A	DIODE			R204	NRSA02J-103X	MG RESISTOR	10kΩ, 1/10W
		D5105	1SS133	DIODE			R213	NRSA02J-222X	MG RESISTOR	2.2kΩ, 1/10W
			or 1SS270A	DIODE			R216	NRSA02J-103X	MG RESISTOR	10kΩ, 1/10W
		D5201	AU01Z	FR DIODE			R220	NRSA02J-0R0X	MG RESISTOR	0Ω, 1/10W
			or ERA18-02-T2	FR DIODE			R224	NRSA02J-681X	MG RESISTOR	680Ω, 1/10W
			or PG104RS	FR DIODE			R225	QUY160-100Y	IM BUS WIRE	
			or 1SR153-400-T2	FR DIODE			R2001	QRE141J-681Y	RESISTOR	680Ω, 1/4W
			or 10ELS2	FR DIODE			R2002	NRSA02J-272X	MG RESISTOR	2.7kΩ, 1/10W
		D5203	AU01Z	FR DIODE			R2003	NRSA02J-101X	MG RESISTOR	100Ω, 1/10W
			or 10ELS2	FR DIODE			R2004	NRSA02J-332X	MG RESISTOR	3.3kΩ, 1/10W
		D5204	AU01Z	FR DIODE			R2005	NRSA02J-0R0X	MG RESISTOR	0Ω, 1/10W
			or 10ELS2	FR DIODE			R2006	NRSA02J-393X	MG RESISTOR	39kΩ, 1/10W
		D5208	RK14LF-B2	BARRIER DIODE			R2007	NRSA02J-393X	MG RESISTOR	39kΩ, 1/10W
			or SB240-F26	SB DIODE			R2008	NRSA02J-123X	MG RESISTOR	12kΩ, 1/10W
			or 21DQ04	BARRIER DIODE			R2009	NRSA02J-123X	MG RESISTOR	12kΩ, 1/10W
		D5210	AU01Z	FR DIODE			R2010	NRSA02J-123X	MG RESISTOR	12kΩ, 1/10W
			or ERA18-02-T2	FR DIODE			R2013	NRSA02J-682X	MG RESISTOR	6.8kΩ, 1/10W
			or 10ELS2	FR DIODE			R2014	NRSA02J-224X	MG RESISTOR	220kΩ, 1/10W
			or 1SR153-400-T2	FR DIODE			R2015	NRSA02J-181X	MG RESISTOR	180Ω, 1/10W
			or PG104RS	FR DIODE			R2016	NRSA02J-393X	MG RESISTOR	39kΩ, 1/10W
		D5301	MTZJ15C	ZENER DIODE			R2017	NRSA02J-183X	MG RESISTOR	18kΩ, 1/10W
			or RD15ES/B3/-T2	ZENER DIODE			R2018	NRSA02J-472X	MG RESISTOR	4.7kΩ, 1/10W
		D5302	QUY160-100Y	IM BUS WIRE			R2019	NRSA02J-472X	MG RESISTOR	4.7kΩ, 1/10W

#	△ REF No.	PART No.	PART NAME, DESCRIPTION	#	△ REF No.	PART No.	PART NAME, DESCRIPTION
R2053		NRSA02J-472X	MG RESISTOR 4.7kΩ,1/10W	R3066		NRSA02J-102X	MG RESISTOR 1kΩ,1/10W
R2054		NRSA02J-123X	MG RESISTOR 12kΩ,1/10W	R3069		NRSA02J-101X	MG RESISTOR 100Ω,1/10W
R2055		NRSA02J-3R3X	MG RESISTOR 3.3Ω,1/10W	R3071		NRSA02J-103X	MG RESISTOR 10kΩ,1/10W
R2056		QRE141J-820Y	RESISTOR 82Ω,1/4W	R3072		NRSA02J-102X	MG RESISTOR 1kΩ,1/10W
R2057		NRSA02J-473X	MG RESISTOR 47kΩ,1/10W	R3073		NRSA02J-102X	MG RESISTOR 1kΩ,1/10W
R2058		NRSA02J-183X	MG RESISTOR 18kΩ,1/10W	R3074		QRE141J-102Y	RESISTOR 1kΩ,1/4W
R2059		NRSA02J-473X	MG RESISTOR 47kΩ,1/10W	R3075		NRSA02J-101X	MG RESISTOR 100Ω,1/10W
R2060		NRSA02J-183X	MG RESISTOR 18kΩ,1/10W	R3076		NRSA02J-101X	MG RESISTOR 100Ω,1/10W
R2201		QRE141J-151Y	RESISTOR 150Ω,1/4W	R3077		NRSA02J-0R0X	MG RESISTOR 0Ω,1/10W
R2206		NRSA02J-101X	MG RESISTOR 100Ω,1/10W	R3078		NRSA02J-0R0X	MG RESISTOR 0Ω,1/10W
R2207		NRSA02J-332X	MG RESISTOR 3.3kΩ,1/10W	R3079		NRSA02J-102X	MG RESISTOR 1kΩ,1/10W
R2213		NRSA02J-393X	MG RESISTOR 39kΩ,1/10W	R3080		NRSA02J-472X	MG RESISTOR 4.7kΩ,1/10W
R2215		NRSA02J-153X	MG RESISTOR 15kΩ,1/10W	R3081		NRSA02J-102X	MG RESISTOR 1kΩ,1/10W
R2217		NRSA02J-0R0X	MG RESISTOR 0Ω,1/10W	R3085		NRSA02J-102X	MG RESISTOR 1kΩ,1/10W
R2218		NRSA02J-393X	MG RESISTOR 39kΩ,1/10W	R3086		NRSA02J-102X	MG RESISTOR 1kΩ,1/10W
R2219		NRSA02J-393X	MG RESISTOR 39kΩ,1/10W	R3087		NRSA02J-0R0X	MG RESISTOR 0Ω,1/10W
R2220		NRSA02J-393X	MG RESISTOR 39kΩ,1/10W	R3088		QUY160-100Y	IM BUS WIRE
R2222		NRSA02J-123X	MG RESISTOR 12kΩ,1/10W	R3089		NRSA02J-0R0X	MG RESISTOR 0Ω,1/10W
R2223		NRSA02J-123X	MG RESISTOR 12kΩ,1/10W	R3090		QRE141J-102Y	RESISTOR 1kΩ,1/4W
R2224		QRE141J-123Y	RESISTOR 12kΩ,1/4W	R3093		QUY160-100Y	IM BUS WIRE
R2225		QRE141J-153Y	RESISTOR 15kΩ,1/4W	R3104		NRSA02J-0R0X	MG RESISTOR 0Ω,1/10W
R2226		NRSA02J-123X	MG RESISTOR 12kΩ,1/10W	R3105		NRSA02J-0R0X	MG RESISTOR 0Ω,1/10W
R2227		QRE141J-123Y	RESISTOR 12kΩ,1/4W	R3201		NRSA02J-103X	MG RESISTOR 10kΩ,1/10W
R2228		NRSA02J-103X	MG RESISTOR 10kΩ,1/10W	R3202		NRSA02J-472X	MG RESISTOR 4.7kΩ,1/10W
R2229		NRSA02J-563X	MG RESISTOR 56kΩ,1/10W	R3203		NRSA02J-103X	MG RESISTOR 10kΩ,1/10W
R2251		NRSA02J-471X	MG RESISTOR 470Ω,1/10W	R3204		NRSA02J-222X	MG RESISTOR 2.2kΩ,1/10W
R3013		NRSA02J-472X	MG RESISTOR 4.7kΩ,1/10W	R3205		QRE141J-181Y	RESISTOR 180Ω,1/4W
R3014		NRSA02J-472X	MG RESISTOR 4.7kΩ,1/10W	R3206		NRSA02J-183X	MG RESISTOR 18kΩ,1/10W
R3015		NRSA02J-472X	MG RESISTOR 4.7kΩ,1/10W	R3207		NRSA02J-183X	MG RESISTOR 18kΩ,1/10W
R3016		NRSA02J-102X	MG RESISTOR 1kΩ,1/10W	R3208		QRE141J-181Y	RESISTOR 180Ω,1/4W
R3018		NRSA02J-102X	MG RESISTOR 1kΩ,1/10W	R3209		QRE141J-273Y	RESISTOR 27kΩ,1/4W
R3020		NRSA02J-472X	MG RESISTOR 4.7kΩ,1/10W	R3210		NRSA02J-181X	MG RESISTOR 180Ω,1/10W
R3021		NRSA02J-472X	MG RESISTOR 4.7kΩ,1/10W	R3211		NRSA02J-273X	MG RESISTOR 27kΩ,1/10W
R3022		NRSA02J-472X	MG RESISTOR 4.7kΩ,1/10W	R3212		NRSA02J-474X	MG RESISTOR 470kΩ,1/10W
R3026		NRSA02J-0R0X	MG RESISTOR 0Ω,1/10W	R3213		NRSA02J-334X	MG RESISTOR 330kΩ,1/10W
R3027		NRSA02J-0R0X	MG RESISTOR 0Ω,1/10W	R3214		NRSA02J-103X	MG RESISTOR 10kΩ,1/10W
R3028		NRSA02J-0R0X	MG RESISTOR 0Ω,1/10W	R3215		NRSA02J-103X	MG RESISTOR 10kΩ,1/10W
R3029		QRE141J-472Y	RESISTOR 4.7kΩ,1/4W	R3216		NRSA02J-103X	MG RESISTOR 10kΩ,1/10W
R3030		NRSA02J-472X	MG RESISTOR 4.7kΩ,1/10W	R3217		NRSA02J-562X	MG RESISTOR 5.6kΩ,1/10W
R3032		NRSA02J-472X	MG RESISTOR 4.7kΩ,1/10W	R3218		QRE141J-472Y	RESISTOR 4.7kΩ,1/4W
R3034		QUY160-100Y	IM BUS WIRE	R3219		NRSA02J-472X	MG RESISTOR 4.7kΩ,1/10W
R3035		NRSA02J-0R0X	MG RESISTOR 0Ω,1/10W	R3220		NRSA02J-104X	MG RESISTOR 100kΩ,1/10W
R3036		NRSA02J-0R0X	MG RESISTOR 0Ω,1/10W	△ R3221		QRE141J-102Y	RESISTOR 1kΩ,1/4W
R3037		NRSA02J-0R0X	MG RESISTOR 0Ω,1/10W	R3222		NRSA02J-103X	MG RESISTOR 10kΩ,1/10W
R3038		NRSA02J-0R0X	MG RESISTOR 0Ω,1/10W	R3223		NRSA02J-152X	MG RESISTOR 1.5kΩ,1/10W
R3039		QRE141J-102Y	RESISTOR 1kΩ,1/4W	R3224		NRSA02J-152X	MG RESISTOR 1.5kΩ,1/10W
R3041		NRSA02J-472X	MG RESISTOR 4.7kΩ,1/10W	R3225		NRSA02J-103X	MG RESISTOR 10kΩ,1/10W
R3042		QRE141J-102Y	RESISTOR 1kΩ,1/4W	R3226		NRSA02J-103X	MG RESISTOR 10kΩ,1/10W
R3047		NRSA02J-0R0X	MG RESISTOR 0Ω,1/10W	R3227		NRSA02J-103X	MG RESISTOR 10kΩ,1/10W
R3048		NRSA63J-0R0X	MG RESISTOR 0Ω,1/16W	R3229		NRSA02J-105X	MG RESISTOR 1MΩ,1/10W
R3049		NRSA02J-101X	MG RESISTOR 100Ω,1/10W	R3230		NRSA02J-472X	MG RESISTOR 4.7kΩ,1/10W
R3050		NRSA02J-101X	MG RESISTOR 100Ω,1/10W	R3231		NRSA02J-102X	MG RESISTOR 1kΩ,1/10W
R3052		NRSA02J-471X	MG RESISTOR 470Ω,1/10W	R3235		NRSA02J-332X	MG RESISTOR 3.3kΩ,1/10W
R3053		NRSA02J-471X	MG RESISTOR 470Ω,1/10W	R3236		NRSA02J-332X	MG RESISTOR 3.3kΩ,1/10W
R3054		NRSA02J-0R0X	MG RESISTOR 0Ω,1/10W	R3240		NRSA02J-105X	MG RESISTOR 1MΩ,1/10W
R3055		NRSA02J-102X	MG RESISTOR 1kΩ,1/10W	R3251		NRSA02J-103X	MG RESISTOR 10kΩ,1/10W
R3058		NRSA02J-102X	MG RESISTOR 1kΩ,1/10W	R4003		NRSA02J-561X	MG RESISTOR 560Ω,1/10W
R3059		NRSA02J-102X	MG RESISTOR 1kΩ,1/10W	R4004		NRSA02J-561X	MG RESISTOR 560Ω,1/10W
R3060		NRSA02J-102X	MG RESISTOR 1kΩ,1/10W	R4005		NRSA02J-562X	MG RESISTOR 5.6kΩ,1/10W
R3061		NRSA02J-102X	MG RESISTOR 1kΩ,1/10W	R4007		QRE141J-102Y	RESISTOR 1kΩ,1/4W
R3062		NRSA02J-103X	MG RESISTOR 10kΩ,1/10W	R4008		NRSA02J-0R0X	MG RESISTOR 0Ω,1/10W

#	△	REF No.	PART No.	PART NAME, DESCRIPTION		#	△	REF No.	PART No.	PART NAME, DESCRIPTION	
R4009			NRSA02J-102X	MG RESISTOR	1kΩ,1/10W	R6711			NRSA02J-684X	MG RESISTOR	680kΩ,1/10W
R4010			NRSA02J-102X	MG RESISTOR	1kΩ,1/10W	R6712			NRSA02J-102X	MG RESISTOR	1kΩ,1/10W
R4011			NRSA02J-472X	MG RESISTOR	4.7kΩ,1/10W	R6714			NRSA02J-102X	MG RESISTOR	1kΩ,1/10W
R4012			NRSA02J-222X	MG RESISTOR	2.2kΩ,1/10W	R6716			NRSA02J-470X	MG RESISTOR	47Ω,1/10W
R4013			NRSA02J-102X	MG RESISTOR	1kΩ,1/10W	R6719			NRSA02J-103X	MG RESISTOR	10kΩ,1/10W
R4014			NRSA02J-0R0X	MG RESISTOR	0Ω,1/10W	R6720			NRSA02J-562X	MG RESISTOR	5.6kΩ,1/10W
R4015			NRSA02J-562X	MG RESISTOR	5.6kΩ,1/10W	R6721			NRSA02J-562X	MG RESISTOR	5.6kΩ,1/10W
R4017			NRSA02J-102X	MG RESISTOR	1kΩ,1/10W	R7001			NRSA02J-331X	MG RESISTOR	330Ω,1/10W
R4018			NRSA02J-102X	MG RESISTOR	1kΩ,1/10W	R7015			NRSA02J-0R0X	MG RESISTOR	0Ω,1/10W
R4019			NRSA02J-103X	MG RESISTOR	10kΩ,1/10W	R7020			NRSA02J-103X	MG RESISTOR	10kΩ,1/10W
R4020			QRE141J-103Y	RESISTOR	10kΩ,1/4W	R7021			NRSA02J-122X	MG RESISTOR	1.2kΩ,1/10W
R4021			NRSA02J-103X	MG RESISTOR	10kΩ,1/10W	R7022			NRSA02J-182X	MG RESISTOR	1.8kΩ,1/10W
R5101			QRE141J-224Y	RESISTOR	220kΩ,1/4W	R7023			NRSA02J-222X	MG RESISTOR	2.2kΩ,1/10W
R5102			QRE141J-224Y	RESISTOR	220kΩ,1/4W	R7024			NRSA02J-272X	MG RESISTOR	2.7kΩ,1/10W
R5103			QRE141J-683Y	RESISTOR	68kΩ,1/4W	R7025			NRSA02J-472X	MG RESISTOR	4.7kΩ,1/10W
R5104			QRG02GJ-683	OMF RESISTOR	68kΩ,2W	R7030			NRSA02J-103X	MG RESISTOR	10kΩ,1/10W
R5106			QRT01DJ-R39X	MF RESISTOR	0.39Ω,1W	R7031			NRSA02J-122X	MG RESISTOR	1.2kΩ,1/10W
R5107			QRE121J-331Y	RESISTOR	330Ω,1/2W	R7032			NRSA02J-182X	MG RESISTOR	1.8kΩ,1/10W
R5108			NRSA02J-152X	MG RESISTOR	1.5kΩ,1/10W	R7033			NRSA02J-222X	MG RESISTOR	2.2kΩ,1/10W
R5109			QRE141J-681Y	RESISTOR	680Ω,1/4W	R7034			NRSA02J-272X	MG RESISTOR	2.7kΩ,1/10W
R5110			NRSA02J-224X	MG RESISTOR	220kΩ,1/10W	R7035			NRSA02J-472X	MG RESISTOR	4.7kΩ,1/10W
R5111			NRSA02J-681X	MG RESISTOR	680Ω,1/10W	R7036			NRSA02J-682X	MG RESISTOR	6.8kΩ,1/10W
R5112			NRSA02J-221X	MG RESISTOR	220Ω,1/10W	R7037			NRSA02J-563X	MG RESISTOR	56kΩ,1/10W
R5301			NRSA02J-472X	MG RESISTOR	4.7kΩ,1/10W	R7121			NRSA02J-221X	MG RESISTOR	220Ω,1/10W
R5302			NRSA02J-102X	MG RESISTOR	1kΩ,1/10W	R7123			NRSA02J-221X	MG RESISTOR	220Ω,1/10W
R5303			NRSA02J-122X	MG RESISTOR	1.2kΩ,1/10W	R7126			NRSA02J-750X	MG RESISTOR	75Ω,1/10W
R5304			NRSA02J-471X	MG RESISTOR	470Ω,1/10W	R7127			NRSA02J-101X	MG RESISTOR	100Ω,1/10W
R5305			NRSA02J-102X	MG RESISTOR	1kΩ,1/10W	R7128			NRSA02J-101X	MG RESISTOR	100Ω,1/10W
R5306			NRSA02J-471X	MG RESISTOR	470Ω,1/10W	R7130			NRSA02J-750X	MG RESISTOR	75Ω,1/10W
R5308			NRSA02J-471X	MG RESISTOR	470Ω,1/10W	R7131			NRSA02J-0R0X	MG RESISTOR	0Ω,1/10W
R5309			NRSA02J-103X	MG RESISTOR	10kΩ,1/10W	R7132			QRE123J-331X	RESISTOR	330Ω,1/2W
R5310			NRSA02J-471X	MG RESISTOR	470Ω,1/10W	R7135			NRSA63J-0R0X	MG RESISTOR	0Ω,1/16W
R5311			NRSA02J-473X	MG RESISTOR	47kΩ,1/10W	R7160			NRSA02J-331X	MG RESISTOR	330Ω,1/10W
R5312			QRE141J-332Y	RESISTOR	3.3kΩ,1/4W	R7161			NRSA02J-331X	MG RESISTOR	330Ω,1/10W
R5313			NRSA02D-332X	MG RESISTOR	3.3kΩ,1/10W	R7162			NRSA02J-331X	MG RESISTOR	330Ω,1/10W
R5314			NRSA02J-102X	MG RESISTOR	1kΩ,1/10W	R7163			NRSA02J-750X	MG RESISTOR	75Ω,1/10W
R5316			NRSA02D-103X	MG RESISTOR	10kΩ,1/10W	B5			NRSA02J-0R0X	MG RESISTOR	0Ω,1/10W
R5317			NRSA02J-473X	MG RESISTOR	47kΩ,1/10W	B24			NRSA02J-0R0X	MG RESISTOR	0Ω,1/10W
R5330			NRSA02J-102X	MG RESISTOR	1kΩ,1/10W	B28			NRSA02J-0R0X	MG RESISTOR	0Ω,1/10W
R5333			QRL02DJ-391X	OMF RESISTOR	390Ω,2W	B35			NRSA02J-0R0X	MG RESISTOR	0Ω,1/10W
R5334			QRL02DJ-391X	OMF RESISTOR	390Ω,2W	B71			NRSA02J-0R0X	MG RESISTOR	0Ω,1/10W
R6020			NRSA02J-102X	MG RESISTOR	1kΩ,1/10W	B2051			NRSA02J-0R0X	MG RESISTOR	0Ω,1/10W
R6021			NRSA02J-102X	MG RESISTOR	1kΩ,1/10W	B3002			QUY153-050Y	IM BUS WIRE	
R6030			NRSA02J-102X	MG RESISTOR	1kΩ,1/10W	B5001			QUY160-100Y	IM BUS WIRE	
R6031			NRSA02J-271X	MG RESISTOR	270Ω,1/10W	B5002			QUY160-100Y	IM BUS WIRE	
R6032			NRSA02J-0R0X	MG RESISTOR,J787AM	0Ω,1/10W	B5301			NRSA02J-0R0X	MG RESISTOR	0Ω,1/10W
			NRSA02J-822X	MG RESISTOR,J781AM,J781AM/EA	8.2kΩ,1/10W	B5302			QUY153-050Y	IM BUS WIRE	
R6050			QRE141J-101Y	RESISTOR	100Ω,1/4W	B7003			NRSA02J-0R0X	MG RESISTOR	0Ω,1/10W
R6051			NRSA02J-101X	MG RESISTOR	100Ω,1/10W	B7008			NRSA02J-0R0X	MG RESISTOR	0Ω,1/10W
R6052			NRSA02J-101X	MG RESISTOR	100Ω,1/10W	B7009			NRSA02J-0R0X	MG RESISTOR	0Ω,1/10W
R6056			NRSA02J-0R0X	MG RESISTOR	0Ω,1/10W	B7109			NRSA02J-0R0X	MG RESISTOR	0Ω,1/10W
R6701			NRSA02J-392X	MG RESISTOR	3.9kΩ,1/10W	B7111			NRSA02J-0R0X	MG RESISTOR	0Ω,1/10W
R6702			NRSA02J-682X	MG RESISTOR	6.8kΩ,1/10W	B7113			NRSA02J-0R0X	MG RESISTOR	0Ω,1/10W
R6703			NRSA02J-470X	MG RESISTOR	47Ω,1/10W	B7118			NRSA02J-0R0X	MG RESISTOR	0Ω,1/10W
R6704			NRSA02J-102X	MG RESISTOR	1kΩ,1/10W	C1			NCB21HK-103X	CAPACITOR	0.01μF,50V
R6705			NRSA02J-271X	MG RESISTOR	270Ω,1/10W	C2			NCB21HK-103X	CAPACITOR	0.01μF,50V
R6706			NRSA02J-101X	MG RESISTOR,J787AM	100Ω,1/10W	C3			NCB21HK-103X	CAPACITOR	0.01μF,50V
R6707			NRSA02J-330X	MG RESISTOR	33Ω,1/10W	C4			NCB21HK-103X	CAPACITOR	0.01μF,50V
R6708			QUY153-050Y	IM BUS WIRE		C5			QEKJ0JM-227	E CAPACITOR	220μF,6.3V
R6709			QUY153-050Y	IM BUS WIRE		C6			NCB21EK-104X	CAPACITOR	0.1μF,25V
R6710			NRSA02J-0R0X	MG RESISTOR	0Ω,1/10W	C8			NCB21EK-473X	CAPACITOR	0.047μF,25V

#	△ REF No.	PART No.	PART NAME, DESCRIPTION	#	△ REF No.	PART No.	PART NAME, DESCRIPTION
C10		NDC21HJ-151X	CAPACITOR 150pF,50V	C2010		NCB21HK-152X	CAPACITOR 0.0015μF,50V
C11		NCB21EK-104X	CAPACITOR 0.1μF,25V	C2011		QEKJ1HM-475	E CAPACITOR 4.7μF,50V
C12		NDC21HJ-470X	CAPACITOR 47pF,50V	C2012		QEKJ1HM-475	E CAPACITOR 4.7μF,50V
C14		NCB21EK-104X	CAPACITOR 0.1μF,25V	C2013		NCB21HK-331X	CAPACITOR 330pF,50V
C15		NCB21HK-103X	CAPACITOR 0.01μF,50V	C2051		NCB21HK-331X	CAPACITOR 330pF,50V
C16		NCB21EK-104X	CAPACITOR 0.1μF,25V	C2052		QFLC1HJ-823Z	F CAPACITOR 0.082μF,50V
C17		QEKJ1HM-335	E CAPACITOR 3.3μF,50V	C2053		NCB21HK-472X	CAPACITOR 0.0047μF,50V
C19		QEKJ1HM-225	E CAPACITOR 2.2μF,50V	C2054		NCB21EK-223X	CAPACITOR 0.022μF,25V
C20		QEQF1HM-105	NP E CAPACITOR 1μF,50V	C2055		QEKJ1EM-106	E CAPACITOR 10μF,25V
C21		NCB21EK-104X	CAPACITOR 0.1μF,25V	C2201		NCB21EK-104X	CAPACITOR 0.1μF,25V
C22		QEKJ0JM-476	E CAPACITOR 47μF,6.3V	C2202		NCB21EK-333X	CAPACITOR 0.033μF,25V
C23		NCB21EK-104X	CAPACITOR 0.1μF,25V	C2203		QEKJ1EM-106	E CAPACITOR 10μF,25V
C24		NCB21EK-104X	CAPACITOR 0.1μF,25V	C2204		NCB21HK-102X	CAPACITOR 0.001μF,50V
C25		NDC21HJ-4R0X	CAPACITOR 4pF,50V	C2205		QEKJ1HM-105	E CAPACITOR 1μF,50V
C27		NCB21EK-223X	CAPACITOR 0.022μF,25V	C2206		QEKJ1EM-106	E CAPACITOR 10μF,25V
C28		QEKJ1HM-335	E CAPACITOR 3.3μF,50V	C2207		QEKJ1CM-476	E CAPACITOR 47μF,16V
C29		NCB21EK-333X	CAPACITOR 0.033μF,25V	C2208		QEKJ1HM-475	E CAPACITOR 4.7μF,50V
C30		QEKJ1HM-474	E CAPACITOR 0.47μF,50V	C2215		QEKJ1HM-475	E CAPACITOR 4.7μF,50V
C31		QEKJ0JM-476	E CAPACITOR 47μF,6.3V	C2216		QEKJ1HM-474	E CAPACITOR 0.47μF,50V
C32		NCB21EK-104X	CAPACITOR 0.1μF,25V	C2217		QEKJ1EM-106	E CAPACITOR 10μF,25V
C33		QEKJ1HM-225	E CAPACITOR 2.2μF,50V	C2218		QEKJ1HM-474	E CAPACITOR 0.47μF,50V
C34		NCB21CK-224X	CAPACITOR 0.22μF,16V	C2219		QEKJ1EM-106	E CAPACITOR 10μF,25V
C35		NCB21HK-103X	CAPACITOR 0.01μF,50V	C2220		QEKJ1HM-475	E CAPACITOR 4.7μF,50V
C36		QERF1EM-475	E CAPACITOR 4.7μF,25V	C2221		NCB21HK-103X	CAPACITOR 0.01μF,50V
C37		QEKJ1HM-105	E CAPACITOR 1μF,50V	C2222		QEKJ1HM-474	E CAPACITOR 0.47μF,50V
C38		QEKJ0JM-476	E CAPACITOR 47μF,6.3V	C2223		QEKJ1HM-474	E CAPACITOR 0.47μF,50V
C39		NCB21EK-104X	CAPACITOR 0.1μF,25V	C2224		NCB21HK-103X	CAPACITOR 0.01μF,50V
C40		QEKJ1EM-106	E CAPACITOR 10μF,25V	C2225		QEKJ1HM-475	E CAPACITOR 4.7μF,50V
C51		QEKJ1HM-105	E CAPACITOR 1μF,50V	C2226		QEKJ1EM-106	E CAPACITOR 10μF,25V
C52		QEKJ1HM-105	E CAPACITOR 1μF,50V	C2227		NCB21EK-104X	CAPACITOR 0.1μF,25V
C53		NRSA02J-0R0X	MG RESISTOR 0Ω,1/10W	C2228		NCB21EK-104X	CAPACITOR 0.1μF,25V
C62		NCB21EK-104X	CAPACITOR 0.1μF,25V	C2229		NCB21HK-331X	CAPACITOR 330pF,50V
C64		NDC21HJ-220X	CAPACITOR 22pF,50V	C2230		NCB21HK-331X	CAPACITOR 330pF,50V
C65		QEKJ1HM-105	E CAPACITOR 1μF,50V	C2251		QEKJ0JM-476	E CAPACITOR 47μF,6.3V
C69		NCB21HK-103X	CAPACITOR 0.01μF,50V	C2252		QDYB1CM-103Y	CAPACITOR 0.01μF,16V
C70		NCB21HK-103X	CAPACITOR 0.01μF,50V	C2253		NCB21HK-103X	CAPACITOR 0.01μF,50V
C81		NCB21HK-103X	CAPACITOR 0.01μF,50V	C2254		NCB21HK-103X	CAPACITOR 0.01μF,50V
C94		NRSA02J-0R0X	MG RESISTOR 0Ω,1/10W	C2255		NDC21HJ-181X	CAPACITOR 180pF,50V
C106		NCB21HK-821X	CAPACITOR 820pF,50V	C3001		NCF21EZ-104X	CAPACITOR 0.1μF,25V
C108		NDC21HJ-680X	CAPACITOR 68pF,50V	C3002		NCB21HK-103X	CAPACITOR 0.01μF,50V
C109		NCB21CK-224X	CAPACITOR 0.22μF,16V	C3003		QEKJ1HM-106	E CAPACITOR 10μF,50V
C110		NDC21HJ-820X	CAPACITOR 82pF,50V	C3004		NCB21EK-473X	CAPACITOR 0.047μF,25V
C112		NDC21HJ-120X	CAPACITOR 12pF,50V	C3011		QETL0JM-338	E CAPACITOR 3300μF,6.3V
C114		NDC21HJ-181X	CAPACITOR 180pF,50V	C3012		QEKJ0JM-476	E CAPACITOR 47μF,6.3V
C204		NCB21HK-103X	CAPACITOR 0.01μF,50V	C3014		QERF0JM-476	E CAPACITOR 47μF,6.3V
C206		NDC21HJ-330X	CAPACITOR 33pF,50V	C3016		NCB21EK-473X	CAPACITOR 0.047μF,25V
C207		NDC21HJ-330X	CAPACITOR 33pF,50V	C3022		NCB21EK-473X	CAPACITOR 0.047μF,25V
C209		NCB21CK-474X	CAPACITOR 0.47μF,16V	C3024		NDC21HJ-220X	CAPACITOR 22pF,50V
C214		NCB21CK-224X	CAPACITOR 0.22μF,16V	C3025		QAT3725-300Z	TRIM CAPACITOR,TIMER CLOCK
C217		NDC21HJ-560X	CAPACITOR 56pF,50V	C3026		NCB21HK-103X	CAPACITOR 0.01μF,50V
C218		NCB21CK-105X	CAPACITOR 1μF,16V	C3027		QEKJ1CM-106	E CAPACITOR 10μF,16V
C222		QERF1HM-105	E CAPACITOR 1μF,50V	C3030		QEKJ0JM-476	E CAPACITOR 47μF,6.3V
C226		QERF0JM-107	E CAPACITOR 100μF,6.3V	C3031		NCB21EK-473X	CAPACITOR 0.047μF,25V
C2001		QEKJ1HM-475	E CAPACITOR 4.7μF,50V	C3032		NCB21EK-473X	CAPACITOR 0.047μF,25V
C2002		QEKJ1EM-106	E CAPACITOR 10μF,25V	C3033		NCB21EK-473X	CAPACITOR 0.047μF,25V
C2003		QEKJ0JM-476	E CAPACITOR 47μF,6.3V	C3036		NDC21HJ-180X	CAPACITOR 18pF,50V
C2005		QEKJ1HM-475	E CAPACITOR 4.7μF,50V	C3037		NDC21HJ-120X	CAPACITOR 12pF,50V
C2006		NCB21HK-123X	CAPACITOR 0.012μF,50V	C3040		NCB21EK-473X	CAPACITOR 0.047μF,25V
C2007		QEKJ1CM-226	E CAPACITOR 22μF,16V	C3045		NDC21HJ-101X	CAPACITOR 100pF,50V
C2008		QEKJ1HM-475	E CAPACITOR 4.7μF,50V	C3050		NCF21EZ-104X	CAPACITOR 0.1μF,25V
C2009		NCB21HK-102X	CAPACITOR 0.001μF,50V	C3051		NCB21EK-104X	CAPACITOR 0.1μF,25V

#	△	REF No.	PART No.	PART NAME, DESCRIPTION	#	△	REF No.	PART No.	PART NAME, DESCRIPTION		
			C3101	QER61CM-106	E CAPACITOR			C6720	QEKJ1EM-106	E CAPACITOR	10μF,25V
			C4002	QDYB1CM-103Y	CAPACITOR			C6721	NCB21HK-103X	CAPACITOR	0.01μF,50V
			C4003	NCB21HK-102X	CAPACITOR			C6723	NCB21HK-103X	CAPACITOR	0.01μF,50V
			C4004	QERF1CM-226	E CAPACITOR			C7001	NCB21HK-103X	CAPACITOR	0.01μF,50V
			C4005	NCB21HK-222X	CAPACITOR			C7002	QEKJ0JM-476	E CAPACITOR	47μF,6.3V
			C4006	QERF0JM-476	E CAPACITOR			C7011	QEKJ0JM-227	E CAPACITOR	220μF,6.3V
			C4008	QEZF1HM-105	NP E CAPACITOR			C7012	NCB21HK-103X	CAPACITOR	0.01μF,50V
			C4009	NCB21HK-563X	CAPACITOR			C7118	QETN0JM-477	E CAPACITOR	470μF,6.3V
			C4010	NCB21EK-223X	CAPACITOR			C7119	NCB21HK-471X	CAPACITOR	470pF,50V
			C4011	NCB21EK-104X	CAPACITOR			C7120	NCB21HK-471X	CAPACITOR	470pF,50V
			C4012	QERF1HM-105	E CAPACITOR			C7128	QEKJ1CM-107	E CAPACITOR	100μF,16V
			C4013	NCB21HK-563X	CAPACITOR			C7129	NCB31CK-104X	CAPACITOR	0.1μF,16V
			C4014	NDC21HJ-101X	CAPACITOR			C7164	NCB21HK-681X	CAPACITOR	680pF,50V
			C4015	NCB21HK-102X	CAPACITOR			C7166	NCB21HK-681X	CAPACITOR	680pF,50V
			C4016	NDC21HJ-101X	CAPACITOR			L1	QQL29BJ-100Z	COIL	10μH
△			C5001	QFZ9073-683	F CAPACITOR			L2	QUY153-050Y	IM BUS WIRE	
△			C5004	QCZ9071-222	CAPACITOR			L3	QQL29BJ-100Z	COIL	10μH
			C5006	QEZ0375-686	E CAPACITOR			L4	QQL29BJ-100Z	COIL	10μH
			C5101	QCZ0212-472	CAPACITOR			L5	QQL29BJ-100Z	COIL	10μH
			C5102	QCZ0302-330Z	CAPACITOR			L11	QQL01BJ-120Z	COIL	12μH
			C5104	QEK1HM-105	E CAPACITOR			L13	QQL071J-330Y	COIL	33μH
			C5105	QFN31HJ-183	F CAPACITOR			L24	QQL071J-270Y	COIL	27μH
			C5106	QCB1HJ-271	CAPACITOR			L27	QQL071J-330Y	COIL	33μH
			C5107	QFV91HJ-104	F CAPACITOR			L28	QQL071J-680Y	COIL	68μH
			C5201	QETN0JM-107	E CAPACITOR			L201	QQL29BK-1R0Z	COIL	1.0μH
			C5202	QEMT1CM-687	E CAPACITOR			L202	QUY153-050Y	IM BUS WIRE	
			C5203	QEMT1AM-128	E CAPACITOR			L203	QQL29BJ-220Z	COIL	22μH
			C5204	QETN2AM-475	E CAPACITOR			L206	QQL071J-220Y	COIL	22μH
			C5206	QETN1AM-476	E CAPACITOR			L207	QUY153-050Y	IM BUS WIRE	
			C5207	QETN1CM-107	E CAPACITOR			L2001	QUY153-050Y	IM BUS WIRE	
			C5301	QEKJ1CM-107	E CAPACITOR			L2251	QQL29BJ-100Z	COIL	10μH
			C5302	QETJ1CM-107	E CAPACITOR			L2252	QQL29BJ-151Z	COIL	150μH
			C5303	QEKJ1CM-107	E CAPACITOR			L3101	QQL29BJ-100Z	COIL	10μH
			C5304	QFLC1HJ-102Z	F CAPACITOR			L5201	PELN1184	COIL	33μH
			C5305	QFV91HJ-154	F CAPACITOR			L5202	PELN1184	COIL	33μH
			C6007	QFKC0JM-227	E CAPACITOR			L6001	QQL29BK-1R0Z	COIL	1.0μH
			C6012	QEKJ1AM-107	E CAPACITOR			L6003	QQL29BJ-470Z	COIL	47μH
			C6013	NCB21HK-103X	CAPACITOR			L6701	QUY153-050Y	IM BUS WIRE	
			C6020	NDC21HJ-680X	CAPACITOR,J787AM			L6702	QQL29BJ-3R3Z	COIL	3.3μH
			C6021	NDC21HJ-680X	CAPACITOR,J787AM			L7107	QQL01BJ-100Z	COIL	10μH
			C6023	NRSA02J-0R0X	MG RESISTOR			X1	QAX0576-001Z	CRYSTAL RESONATOR	
			C6027	NCB21HK-103X	CAPACITOR			X2	QAX0575-001Z	CRYSTAL RESONATOR	
			C6032	NCB21HK-472X	CAPACITOR,J787AM			X3001	QAX0445-001	CRYSTAL RESONATOR	
				NCB21HK-152X	CAPACITOR,J781AM,J781AM/EA			X3002	QAX0527-001	CRYSTAL RESONATOR	
			C6037	QEKJ1CM-106	E CAPACITOR			X6701	QAX0443-001	CRYSTAL RESONATOR	
			C6052	NDC21HJ-680X	CAPACITOR,J787AM			S3001	QSW0602-004	PUSH SWITCH,REC SAFETY	
			C6053	NDC21HJ-680X	CAPACITOR,J787AM			S7001	QSW0456-002Z	TACT SWITCH,POWER	
			C6501	QEKJ0JM-227	E CAPACITOR			S7002	QSW0456-002Z	TACT SWITCH,CH-	
			C6701	NCB21HK-103X	CAPACITOR			S7004	QSW0456-002Z	TACT SWITCH,REC	
			C6703	NDC21HJ-181X	CAPACITOR			S7006	QSW0456-002Z	TACT SWITCH,PAUSE	
			C6704	NCB21HK-103X	CAPACITOR			S7008	QSW0456-002Z	TACT SWITCH,STOP/EJECT	
			C6705	NCB21HK-103X	CAPACITOR,J787AM			S7010	QSW0456-002Z	TACT SWITCH,REC LINK	
			C6707	NDC21HJ-470X	CAPACITOR			S7012	QSW0456-002Z	TACT SWITCH,PLAY	
			C6708	NDC21HJ-8R0X	CAPACITOR			S7014	QSW0456-002Z	TACT SWITCH,REW	
			C6709	NDC21HJ-2R0X	CAPACITOR			S7015	QSW0456-002Z	TACT SWITCH,FF	
			C6713	NCF21CZ-224X	CAPACITOR			S7016	QSW0456-002Z	TACT SWITCH,CH+	
			C6714	NCB21HK-222X	CAPACITOR			K2001	NRSA02J-0R0X	MG RESISTOR	0Ω,1/10W
			C6715	QEKJ1HM-225	E CAPACITOR			K2002	NRSA02J-0R0X	MG RESISTOR	0Ω,1/10W
			C6716	NCB21HK-222X	CAPACITOR			K2003	NRSA02J-0R0X	MG RESISTOR	0Ω,1/10W
			C6717	QEKJ1HM-225	E CAPACITOR			K2004	NRSA02J-0R0X	MG RESISTOR	0Ω,1/10W
			C6719	QEKJ1EM-106	E CAPACITOR			K2251	NRSA02J-0R0X	MG RESISTOR	0Ω,1/10W

#	△ REF No.	PART No.	PART NAME, DESCRIPTION
	K2252	NRSA02J-0R0X	MG RESISTOR 0Ω,1/10W
	K2253	NRSA02J-0R0X	MG RESISTOR 0Ω,1/10W
	K5101	QQR0678-001Z	FERRITE BEAD
	K5102	QQR0678-001Z	FERRITE BEAD
	K6080	NRSA02J-102X	MG RESISTOR,J787AM 1kΩ,1/10W
	K6701	NQR0200-003X	FERRITE BEAD
	K6702	NQR0200-003X	FERRITE BEAD
	K6703	NQR0200-003X	FERRITE BEAD
	K6704	NQR0200-003X	FERRITE BEAD
	K6705	NQR0200-003X	FERRITE BEAD
	K6706	NQR0200-003X	FERRITE BEAD
	PC3001	GP3S123	IC(PHOTO SENSOR)
	PC3002	GP3S123	IC(PHOTO SENSOR)
△	PC5101	PS2561L1-1/L/	IC(PHOTO COUPLER)
	T2051	PELN0832	OSC TRANSFORMER
△	T5001	QQS0030-002	SW TRANSFORMER
△	TB1	LP20316-007B	TERMINAL BOARD
	TU6001	QAU0212-001	TUNER,J781AM,J781AMEA
		QAU0236-001	TUNER,J787AM
	DI7001	LTG-Y2K16M-J	LE DIODE
	ET1	PQ21623-2-5	EARTH PLATE(RF)
	HS1	LP40090-001A	HEAT SINK,Q5101
	SD1	LP21033-001A	SHIELD CASE(PRE)
	OT1	QYTDST3006Z	SCREW,Q5101
	FC5001	QNG0006-001Z	FUSE CLIP,F5001
	FC5002	QNG0006-001Z	FUSE CLIP,F5001
	J7103	QNN0286-002	PIN JACK,REAR OUT
	J7104	QNN0380-002	PIN JACK,REAR IN
	J7105	QNN0381-002	PIN JACK,FRONT IN
△	LF5002	QQR0532-001	LINE FILTER
	CN1	QGF1028C1-11	FPC CONNECTOR,(1-11)U.DRUM
	CN2001	QGF1207C1-07	FPC CONNECTOR,(1-7)A/C HEAD
	CN2002	QGB2532J1-02	CONNECTOR,(1-2)FE HEAD
	CN3001	QGF1207C1-05	FPC CONNECTOR,(1-5)DRUM MDA
	CN3002	QGB2532J1-02	CONNECTOR,(1-2)LOADING MOTOR
	CN3003	QGB2015M2-08	CONNECTOR,(1-8)CAPSTAN MOTOR
	CN3004	QGB2534J2-04	CONNECTOR,(1-4)ROTARY ENCODER
	CN3005	QGD2001C1-02	WIRE TRAP CONNECTOR,(1-2)LT.BATTERY
△	CN5001	QGA7901C3-02	CONNECTOR,(1-2)AC IN
△	CP4001	ICP-N25	CIRCUIT PROTECTOR
△	CP5302	ICP-N25	CIRCUIT PROTECTOR
△	F5001	QMF51E2-2R0J1	FUSE T2.0A,AC250V

A/C HEAD BOARD ASSEMBLY <12>

PW1	LP10122-01A1	A/C HEAD BOARD ASSY
CN1	QGF1208F1-07	FPC CONNECTOR

LOADING MOTOR BOARD ASSEMBLY <55>

PW2	LP10122-01A2	LOADING MOTOR BOARD ASSY
CN1	QGB2533K1-02	CONNECTOR

#	△ REF No.	PART No.	PART NAME, DESCRIPTION

R.PAUSE BOARD ASSEMBLY <91>			
	PW3	LPA10131-01A3	R.PAUSE BOARD ASSY
	R7167	NRSA02J-101X	MG RESISTOR 100Ω,1/10W
	J7108	PU60612	MINI JACK
	CN7106	QUM022-18A4A4	PARA RIBON WIRE

LT.BATTERY BOARD ASSEMBLY <93>

PW6	LPA10131-01A6	LT.BATTERY BOARD ASSY
BT3001	QNZ0032-001	BATTERY HOLDER
FW7006	QUM022-22A4BF	PARA RIBON WIRE